

---

Vol. 25

Issue 9

September 2, 2015

---

Louie Stark, President  
Dick Lehmann, Treas.  
Rich Eastwood

Ron Ernhardt, Vice Pres.  
Dave Jaecks  
Don Paquette

John Gosz, Sec.  
Parker Merrill  
Eugene Fehlhaber

---

**Wausau R/C Sportsmen website - [www.wausaurcsportsmen.org](http://www.wausaurcsportsmen.org)**

**MEETING NOTICE**

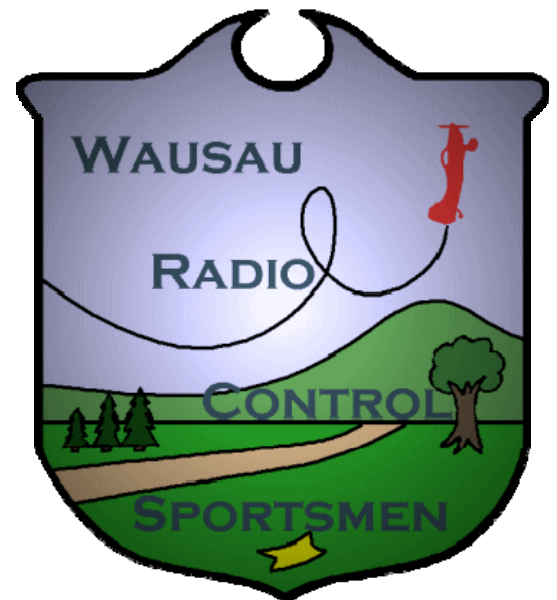
September 8, 2015

7:00 PM

Wausau Municipal Airport

## Coming Events

- Sept. 8, 2015 Monthly Meeting at Wausau Municipal Airport  
7:00 PM
- Oct. 13, 2015 Monthly Meeting at Wausau Municipal Airport  
7:00 PM
- Oct. 13, 2015 By-Law and Rule changes presented  
Board of Directors Nominations
- Oct. 24, 2015 Field Tear Down – 9:00 AM
- Oct. 24, 2015 Set-up swap and auction tables at  
St. Matthews/Faith Formation  
School-9:00 AM
- Oct. 25, 2015 21<sup>st</sup> Annual Swap and Auction  
At St. Matthew/Faith Formation  
School – 8:00 AM



## Letter From the President

This year's fun fly is behind us and overall it was a great event. We were competing with the Wisconsin Valley Fair due to where it fell on the calendar. The overall profit was down from last year but some of the expenses can be put onto the Swap Meet which will help offset. Thanks to everyone who stuck around and helped take everything down and put it away things went really quick.

Now it is time to start planning for the Swap Meet and auction, I will have sign up sheets at the meeting so that we can start to line up the crews for field tear down and swap meet setup.

Monday Night Training season is over, we had a busy season but it was a good balance of instructor to student ratio. Thanks to those that helped out both as flight instructors and as ground crew, it made for a very smooth running event. Congratulations to John Vehlow on his solo, and I know Andrew is right behind him.

While there is not much for club activities during the month of September, this is a busy time for the board. We need to start looking at nominations for the board member elections coming up in November. I am asking all club members to consider running for board positions. Our nominating committee will be looking for candidates starting soon. If you have any questions about what is involved being a board member just ask any of the current or past board members. Please consider this as a way to give back to the club that has done so much to make this hobby enjoyable for all of us.

Field Teardown and the Swap Meet is coming up in October, and last year we broke up into two crews, one was at the field doing the tear down and the other was at the school setting up the Swap Meet. This worked very well and reduced the overall amount of time to do these tasks. We once again will be looking for volunteers for these events, a signup sheet will be passed around during the September and November meetings.

See you at the meeting

Louie

*Louie*

**WAUSAU R/C SPORTSMEN CLUB INC**

**August 4, 2015**

### **Minutes**

**Minutes** The meeting was called to order by President Louie Stark at the Sunny Vale RC Park at 6:00 p.m. The meeting was started with a round of introductions. There were nineteen members present.

The minutes from the July 7th meeting were read and approved on a motion by Rich Eastwood and seconded by Ron Ernhardt.

**Completed Events/Programs:** Ron Ernhardt gave a report on the family picnic that was held July 17<sup>th</sup>. The event went well with a good showing of members and guests, enjoying the food and camaraderie. The day was breezy for flying but several planes did get into the air. Special thanks

go out to John Vehlow and his wife for leading the picnic committee and their work on the preparation for the event.

**Upcoming Events:** Bob Weller gave a status on the Annual Fun Fly coming up August 8<sup>th</sup>. He has six members volunteering to transport the tents and tables from the Wausau Whitewater building to Sunnyvale. Several more volunteers are needed Friday morning to unload and set up the tents. Volunteers are needed 6:30 Saturday morning to complete the setup. Bob asked for another volunteer for the raffle to walk around selling tickets. Another volunteer is needed for registration. Other tasks have been filled. Matt will be the greeter at the gate and to hand out the field rules to the visiting pilots, Louie will be the announcer, and has all the raffle buckets. John and Andrew will be putting out the signs on Friday night.

Several last minute raffle items were turned in including a Wal-Mart gift card and cordless screwdriver.

Bob has also secured an electric golf cart from the Wausau Whitewater program to retrieve any downed planes. A driver is needed.

Dave has looked over the field and will be ready. A new porta-potty is being delivered for the event

There will be a ceremony for the Jack Richie memorial around noon at the flag pole. Louie will be the MC.

Anyone else who knew Jack is invited to say a few words in his memory.

The raffle has a good number of prizes and some will be saved for the fall swap meet raffle. There will be a BOD meeting, later to allocate prizes for each raffle.

**Open Discussion:** Shad brought up a point about intro pilot training where it can be confusing for the student if one pilot is doing left hand pattern and another a right hand pattern. There was some discussion on this, but no action was taken. This matter will need to be addressed later.

**Safety Tips:** There was an accident at the field in July where one of the club's members needed to be taken to Aspris ER. There was discussion on the role of the safety coordinator's role in reporting an accident to AMA. Once the accident is reported, the AMA will mail the paper work to the individual involved. The individual involved will then need to fill out the paperwork and have the doctor and hospital or clinic complete the medical portion of the form(s) and return to AMA.

Bob mentioned that during the Fun Fly, the Contest Director is responsible for reporting any incidents/accidents to the AMA.

**Good of the Club:** Bob Weller and Warren Pope drove to Marshfield on Saturday August 1<sup>st</sup> for the Hobby Land flyers event that also included a family picnic. Because of members from this club attending, members from their club will reciprocate and plan on attending our Fun Fly.

There were no product and airplane reviews.

The meeting was adjourned on a motion by Ron Ernhardt and seconded by Rich Eastwood.

Respectfully Submitted 08-12-2015

John Gosz  
WRSC Secretary

=====

One of our long term members, Claude Graf passed away Saturday, August 22, 2015. Claude's health has not been good for some time; however, he remained active in the hobby and supported the club in many ways. Claude had an active interest in aviation, was an interesting guy to talk with and had innovative ideas encompassing many arenas. Claude will be missed. Anyone wishing to send a card can use the following address;

Mrs. Lois Graf  
411 120<sup>th</sup> Ave  
Marathon, WI. 54448



The environmental project geared to enhancing Monarch Butterfly habitat spearheaded by Eagle Scout candidate, Brendan Reynolds, has been a wonderful success. Plants that attract Monarch Butterflies were planted in late May on the East end of the flying field. During the past couple of weeks, Monarch Butterfly populations numbering in the hundreds have been seen by club members during their flight times.



Thank you for participating in our third annual celebration of National Model Aviation Day. We are very excited to see the event continue to grow, with 225 clubs registered this year- 30 more than last year! Most of the events were held last weekend, or will be held this weekend. Our team wanted to send you a few quick reminders as you wrap-up this year's event and start planning for next year.

**If you have additional questions please contact us via [email](#), or call Mandee Mikulski directly, 765-287-1256, ext. 277.**

#### **How to send donations.**

All donations should be sent to the AMA Foundation, 5161 E. Memorial Drive, Muncie, IN 47302. All checks should be made to Wounded Warrior Project. If they are not made to them, a tax receipt cannot be issued. We encourage individuals to write a separate check for substantial donations to guarantee they receive a receipt for tax purposes. Please make sure that your club name is included on the check, or that you include a letter with the club name and number so that we can give proper credit to your club for the entire donation (including individual donation checks). A donation submission form can be found on the [club resources page](#).

#### **Sharing photos and stories**

Thank you for utilizing #ModelAviationDay during your events. By promoting your events throughout the country we were able to generate a lot of positive media attention for AMA and model flying! We still want to hear more about your events. If you are interested please send a recap of your event to [nmad@modelaircraft.org](mailto:nmad@modelaircraft.org). The piece should be no more than 500 words. We ask that you upload all of your event photos that can be shared with the public to our [Facebook Event page](#). These photos might be used for promotions next year. You can also include a link to the photos in drop box when sending the recap email.

#### **How to start planning for next year**

Several people have reached out for information to start planning for next year. The date of next year's event and the charity must be approved by the AMA Executive Council. An announcement will be made in October. If no changes are made, next year's celebration would be held August 13, 2016. We encourage you to begin planning now. Thanks to your suggestions we will be adding some things to the club resources page including a donation request letter, a national event flyer, and we will provide a social media toolkit earlier in the year for you to use for promotions.

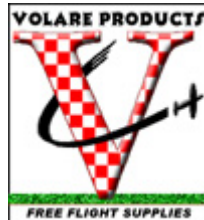
#### **Updates**

Please continue to monitor your email, our [Facebook Event page](#), and the National Model Aviation Day website for updates on this year's total contribution for Wounded Warrior Project and other

charities. Wounded Warrior Project will be updating our [event thermometer](#) as checks are received. We hope to raise \$125,000 this year.



### Gold Sponsors



© 1936-2015 Academy of Model Aeronautics.  
5161 E. Memorial Dr.,  
Muncie IN 47302  
Tel.: (800) 435-9262;  
Fax.: (765) 289-4248  
All rights reserved.



[www.modelaircraft.org](http://www.modelaircraft.org)

For comments on this communication please email [marketing@modelaircraft.org](mailto:marketing@modelaircraft.org).

# For Sale

Do you have something you would like to sell or are you looking to buy a certain airplane item? You can post it here and get exposure to the entire membership as well as some of our neighboring clubs.

.....

## U Name It

Built by the Designer Bob Richards  
Set up by Bob Hartwig

This plane has a .90 Saito four stroke Engine  
Will sell with engine and servos less receiver **\$ 350.00**

Contact:  
Louie Stark  
Lstark295@aol.com



.....

## .90 Aeroworks Edge 540 ARF

Wing Span 66 Inches  
Wing Area 750 Square Inches  
Length 62 Inches

This plane has a .90 OS two stroke Engine  
Tru Turn Aluminum Spinner  
Will sell with engine –  
less servos, receiver and battery **\$ 450.00**

Contact:  
Louie Stark  
Lstark295@aol.com



.....

## WANTED TO BUY

Spectrum DX5 or DX6i, DSM2 transmitter.  
Contact: John Gosz - [jcgosz@aol.com](mailto:jcgosz@aol.com)



# WAUSAU R/C SPORTSMEN'S Twenty First Annual

SANTIONED BY THE ACADEMY OF MODEL AERONAUTICS #15-XXXX

## R/C SWAP MEET & AUCTION

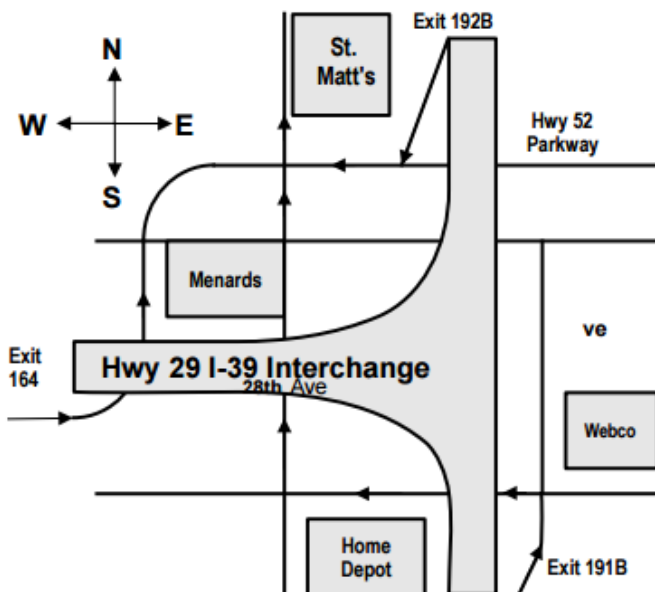
# SUNDAY, OCT. 25, 2015

St. Matthews/Faith Academy, 28<sup>TH</sup> AVE. ~ WAUSAU, WI

**DOORS WILL OPEN AT 8:00 AM**

SWAP 8:00 to NOON ~ AUCTION 9 to 11:45 AM ~ RAFFLE AT 11:45 AM

St. Matthew's/Faith Academy is located at  
228 South 28<sup>th</sup> Avenue



**DOORS OPEN AT 8:00 AM**

ADMISSION - \$5.00 (12 & under FREE)

**50+ TABLES  
AVAILABLE  
(NO CHARGE)**

**RAFFLE PRIZES  
(DRAWING AT 11:45 AM)**

**- LUNCH -  
Coffee ~ Donuts ~ Pop  
Hot Sandwiches**

FOR INFORMATION GO TO: [www.wausaurcsportsmen.org](http://www.wausaurcsportsmen.org)

Louie Stark - 715-218-2988 - [lstark295@aol.com](mailto:lstark295@aol.com) or;

Ron Earnhardt - 715-536-3928 - [rearnhardt@airnetisp.com](mailto:rearnhardt@airnetisp.com)





Fly Paper  
Louie Stark  
1811 Jackie Road  
Mosinee, WI 54455



ADDRESS CORRECTION REQUESTED

