

---

Vol. 25

Issue 8

August 1, 2015

---

Louie Stark, President  
Dick Lehmann, Treas.  
Rich Eastwood

Ron Ernhardt, Vice Pres.  
Dave Jaecks  
Don Paquette

John Gosz, Sec.  
Parker Merrill  
Eugene Fehlhaber

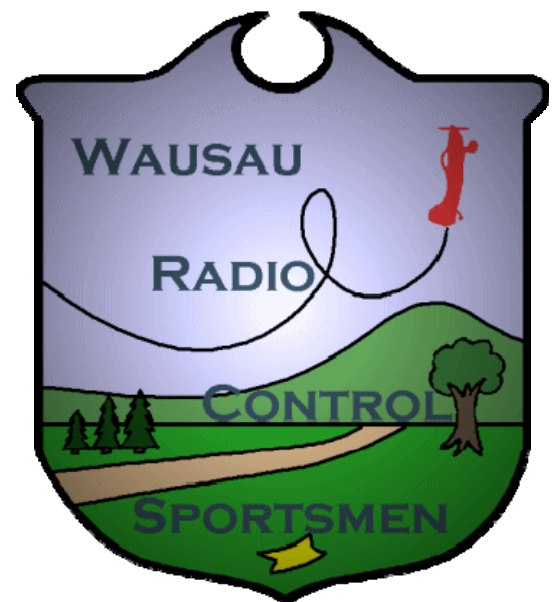
---

**Wausau R/C Sportsmen website - [www.wausaurcsportsmen.org](http://www.wausaurcsportsmen.org)**

**MEETING NOTICE**  
August 4, 2015  
6:00 PM  
Sunnyvale R/C Park

## Coming Events

- Aug. 4, 2015 Monthly Meeting at  
Sunnyvale R/C Park  
6:00P PM**
- Aug. 7, 2015 Field Set-Up for Annual Fun Fly  
9:00 AM.**
- Aug. 8, 2015 51st Annual Wausau R/C Sportsmen  
Fun Fly In  
8:00 AM**
- Sept. 8, 2015 Monthly Meeting at Wausau  
Municipal Airport  
7:00 PM**



**NATIONAL MODEL AVIATION DAY  
AUGUST 8, 2015  
SUNNYVALE R/C PARK  
72<sup>ND</sup> AVE S. WAUSAU, WI.**



National Model Aviation day is August 15<sup>th</sup>, it was created to encourage modelers and clubs to celebrate the hobby and share their interests with the public. Since our Fun Fly is so close to this day the board has decided to celebrate it at our Fun Fly on August 8<sup>th</sup>. The Proclamation for Model Aviation day asks that the hobby of Model Aviation be promoted and that funds collected are used for a charitable cause. While the national organization collects for the Wounded Warrior Project our membership has decided to collect for a charity that is closer to home, that charity is yet to be decided. For more information on Model Aviation day, check your Model Aviation magazine or visit the AMA website at [www.modelaircraft.org](http://www.modelaircraft.org).

## Letter From the President

Hello everyone, with the summer in full swing there are a lot of activities happening, I hope everyone is enjoying the nice weather we have been having and are getting a lot of flying in.

At the Club picnic we had 47 people attend which was 2nd highest in the 5 years of picnics, I was told that we had 3 pieces of meat left and most of the food dishes that were brought were gone, the only negative was the high winds that limited flying, everyone seemed to enjoy the day.

Be sure to mark your calendar for Tuesday, Aug 4, at 6:00 PM for the next meeting. It is NOT on the second Tuesday this month because of the Fun Fly event. This gives us an opportunity to lock in our volunteers and do last minute assignments and changes as needed.

We still could use some raffle prizes for the Fun Fly-in. It is not too late to get items to us. Any RC items, aircraft, tools, gift certificates, sporting items, or related items are welcome. We appreciate any and all support from our membership. See Bob's detailed article on the Fun Fly.

In case you haven't heard, the Marshfield club Fun Fly has been cancelled

See you at the meeting... and please consider volunteering at the Fun Fly

*Louie*

## **WAUSAU R/C SPORTSMEN CLUB INC.**

**July 7, 2015**

### **Minutes**

The meeting was called to order by President Louie Stark at the Sunny Vale RC Park at 6:01 p.m. The meeting was started with a round of introductions. There were seventeen members present.

The minutes from the June 9th meeting were read and approved on a motion by Rich Eastwood and seconded by Ron Ernhardt.

#### **Discussion on Completed/ In Progress Events and Review**

Breakfast on the field was held on the morning of June 20<sup>th</sup>. There were about fifteen members present. The morning was somewhat cool and rain in the forecast. The members that did show up enjoying a breakfast of gourmet kishes, prepared exclusively by Chef Russ Puttman plus, sausage, donuts, juice and coffee. Thanks go out to Russ Puttman and Ron Ernhardt for their efforts in putting together the event.

The intro pilot training program continues to have few students enrolled. The weather has not been favorable on Monday's for training; however on last Monday night two young people came with their grandfather and would like to start the program. The night was too windy to train, but they were given the familiarization and safety information and an AMA intro pilot application for their parent's signature to begin flight training.

#### **Upcoming Events;**

The Family Picnic will be held July 19<sup>th</sup>. Dennis Lewandowski already has forty two people signed up to attend. Dennis asked anyone in attendance who will be coming to the picnic to let him know before leaving.

The annual Summer Fun Fly will be August 8<sup>th</sup>. Volunteers are needed.

Bob Weller is the Event Coordinator and has put together an agenda of tasks that need to be done on Friday the day before and the day of the Fun Fly. Bob asked for volunteers help with specific tasks. Some members have already come forward. John and Andrew will be putting up signs as well as the managing the food tent, Louie Stark will be doing the announcing, Joe Osimitz will be the safety officer, Jim Hann, Eugene and Dennis Lewandowski will be working the raffle tent, but can use one more volunteer. Rich will be photographing the event as well as contacting the local media for promotion. Volunteers are needed Friday to help with loading and hauling the tents and tables. Parker offered his truck and trailer along with Don Parquet. Joe will bring his generator. Volunteers are still needed for registration, greeting, and parking. Joe Osimits will provide his generator.

There are new AMA forms for pilot registration and safety declaration. Only AMA pilots can participate and must have their card or be verifiable on line. Bob put up the AMA National Model Aviation Day banner at the front gate and it looks very attractive.

During the event there will be a short ceremony for the Jack Riche memorial around noon.

After the member meeting the board will meet to discuss the general raffle and pilot raffle prizes.

AMA dues is increasing next year to \$75.00, however there is an early bird special if enroll before September.

Enrolling can be done on line. Dennis made a point that the increase for senior members went up at a higher percentage than that for regular members.

Senior member rate is for those 65 and older.

**Open Discussion:**

Dennis noticed that a poster displayed at the Wausau Municipal Airport announcing the model airplane training Monday nights. Louie contacted airport manager John Chmiel to get information on this program and if will it compete with our intro pilot program. John's goal is to use model airplane flying as a means to introduce youth into full scale aviation. This program is limited to small electric foamie models to demonstrate the characteristics and function of flight controls. He'll encourage any youth who are interested only in aero modeling to seek out the club. His purpose is not designed to compete with WRCS and may actually help the club. Also, he may be contacting the club to assist with his program.

**Safety Tips:** Safety Office Ron mentioned that this is the time of year when the nettles can very abundant and be aware of this if you venture out into the tall grass.

Dave Jackes brought an example of a NiMH battery failure. He brought in a NiMH battery that burned up, not due to charging but possibly due to an internal short of one cell and the result blew out the other cells in the series. Fortunately his plane didn't result in much damage. His point being that NiMH type has their problems too and not just Lipo batteries.

After his presentation there was discussion on the charging and care of NiMHs.

**For the Good of the Club:**

Dennis brought hats for sale and will be getting new hats soon. Ron checked with River Side Specialists to inquire about pricing for their hats.

Joe Osimitz reminded the group that Rhinelander has their Fun Fly July 11<sup>th</sup>. Those interested can rendezvous at the Tomahawk Family Restaurant in Tomahawk for breakfast the caravan to Rhinelander.

**Product & Airplane Reviews:**

Bob Weller brought a fomie he built using Depron foam. The entire plane was cut from two sheets of 15" x 39" Depron foam. He used carbon fiber rod to reinforce the material. The other electronics and accessories were purchased from Hobby King. He flew it for the first time before the meeting and was satisfied with its performance.

Louie mentioned that, next month's meeting will be held the first Tuesday of the month, Aug 4<sup>th</sup> at 6:00pm at the Sunny Vale R/C Park.

The meeting was adjourned at 7:38 p.m. on a motion by Don Paquette, seconded by John Verlow. Respectfully submitted,

John Gosz      Date:07/10/2015

Secretary

---

## 51<sup>st</sup> Annual Fun Fly-In

Our 51<sup>st</sup> Annual Fun Fly-In is coming up on August 8th. Set up will begin on Friday, Aug 7<sup>th</sup>, just as we have in the past, by picking up the tents, chairs, tables, etc. at the Wausau Whitewater Park at 8:00 AM . We will need two trucks to get the materials to the field, or several vans. If you have either and are willing to help, please let me know you will be available that morning. After the pickup, set up at the field will start at 9:00. We will get the area prepped, installing as many items as we can, completing a detailed prepared list for each day. On Saturday, August 8th, the day of the event, we will start at 6:30 AM, completing the items we prepped on Friday. There will be lots to do. Signs will need to set up at intersections, signage at the field placed, tents set, tables, cooking area prepped, PA wired in, generator connected/running, raffle table displayed, and pilot registration set up and running, food area set and operational for the set up crew... lots to do in a short time. Please consider being there for either or both days to help with this fun filled event. Flying will start at 8:00 AM for our registered pilots. Hopefully, every club member will register for the event, even if you don't intend to fly. You are eligible for prizes, and it demonstrates to the AMA the strength of our event, locking our area event to the second Saturday of August. Small items for RC, sports, camping, tools, gift certificates, etc. are needed for the raffle. Please consider donating your Menards or Fleet Farm, or Home Depot rebate in-store coupons as a way to support the organization. Louie is collecting the prizes, or you can deliver them to me too. Minor raffle prize items are being collected by Louie. If you have any in this category, bring it them to the meetings or contact one of us for delivery. We need everyone's support for this event. Signup sheets will be at the August meeting. If you can't be at the meetings, please let me know you'll be helping by calling me directly.

Bob Weller - 715-571-3476.

---

# For Sale

Do you have something you would like to sell or are you looking to buy a certain airplane item? You can post it here and get exposure to the entire membership as well as some of our neighboring clubs.

.....

## U Name It

Built by the Designer Bob Richards  
Set up by Bob Hartwig

This plane has a .90 Saito four stroke Engine  
Will sell with engine and servos less receiver **\$ 350.00**

Contact:  
Louie Stark  
Lstark295@aol.com



.....

## .90 Aeroworks Edge 540 ARF

Wing Span 66 Inches  
Wing Area 750 Square Inches  
Length 62 Inches

This plane has a .90 OS two stroke Engine  
Tru Turn Aluminum Spinner  
Will sell with engine –  
less servos, receiver and battery **\$ 450.00**

Contact:  
Louie Stark  
Lstark295@aol.com



.....

## WANTED TO BUY

Spectrum DX5 or DX6i, DSM2 transmitter.  
Contact: John Gosz - [jcgosz@aol.com](mailto:jcgosz@aol.com)



AMA CHARTER CLUB #671

## WAUSAU R/C SPORTSMEN'S

51<sup>st</sup> ANNUAL

# RC - FUN FLY-IN

SANTIONED BY THE ACADEMY OF MODEL AERONAUTICS #15-xxxx

**AMA & LOCAL SAFETY RULES ENFORCED – FREQUENCY CONTROL  
AMA MEMBERSHIP REQUIRED TO FLY**

# **SATURDAY, AUG 8, 2015**

## **WAUSAU, WI**

For more information, maps, and event details, visit [www.wausaurcsportsmen.org](http://www.wausaurcsportsmen.org)

OR

CD -- Bob Weller - 715-842-1755 – [bweller@wellertechnology.com](mailto:bweller@wellertechnology.com)

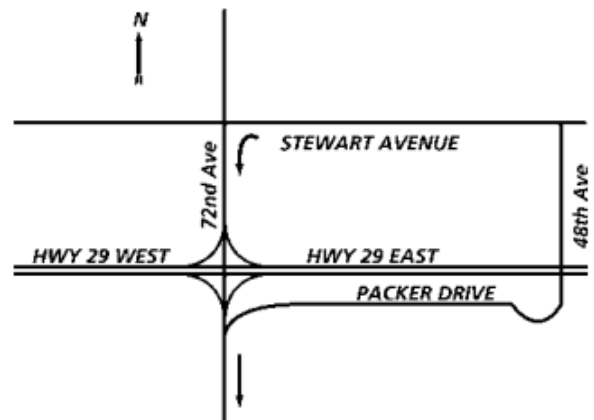
Louie Stark - 715-218-2988 - [lstark295@aol.com](mailto:lstark295@aol.com)

**Raffle Drawing Scheduled For 2:30PM or Earlier if Weather Problems Exist**

GPS Info - Latitude 44 56' 49" --- Longitude: 89 43' 39"

### EVENT DETAILS:

- \* PILOT REGISTRATION BEGINS: 7:45 AM
- \* PILOT MEETING: 8:00 AM
- \* FLYING STARTS RIGHT AFTER MEETING
- \* PILOT REGISTRATION FEE: \$5.00
- \* RAFFLE SCHEDULED AT 2:30 PM
- \* BLACKTOP AND GRASS RUNWAY
- \* PILOT PRIZE DRAWINGS ALL DAY
- \* 72 MHZ TX's WILL BE IMPOUNDED
- \* FOOD & REFRESHMENTS DURING EVENT



**WAUSAU R/C SPORTSMEN  
Sunnyvale RC Park**

*Sunnyvale RC Park is located on 72<sup>nd</sup> Ave  
West of Wausau and South of hwy 29  
Free admission to the general public*



# WAUSAU R/C SPORTSMEN'S Twenty First Annual

SANTIONED BY THE ACADEMY OF MODEL AERONAUTICS #15-XXXX

## R/C SWAP MEET & AUCTION

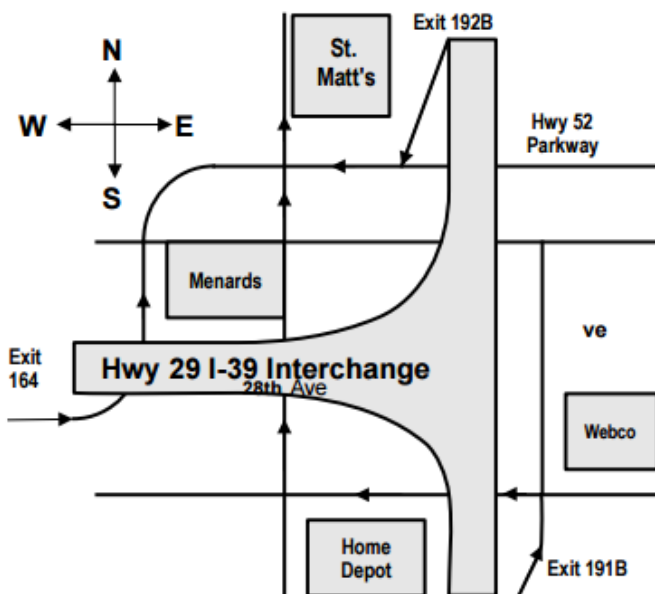
# SUNDAY, OCT. 25, 2015

St. Matthews/Faith Academy, 28<sup>TH</sup> AVE. ~ WAUSAU, WI

**DOORS WILL OPEN AT 8:00 AM**

SWAP 8:00 to NOON ~ AUCTION 9 to 11:45 AM ~ RAFFLE AT 11:45 AM

St. Matthew's/Faith Academy is located at  
228 South 28<sup>th</sup> Avenue



**DOORS OPEN AT 8:00 AM**

ADMISSION - \$5.00 (12 & under FREE)

**50+ TABLES  
AVAILABLE  
(NO CHARGE)**

**RAFFLE PRIZES  
(DRAWING AT 11:45 AM)**

**- LUNCH -  
Coffee ~ Donuts ~ Pop  
Hot Sandwiches**

FOR INFORMATION GO TO: [www.wausaurcsportsmen.org](http://www.wausaurcsportsmen.org)

Louie Stark - 715-218-2988 - [lstark295@aol.com](mailto:lstark295@aol.com) or;

Ron Earnhardt - 715-536-3928 - [rearnhardt@airnetisp.com](mailto:rearnhardt@airnetisp.com)





Fly Paper  
Louie Stark  
1811 Jackie Road  
Mosinee, WI 54455



ADDRESS CORRECTION REQUESTED

